



ASSISTANCE

Read the instruction manual before using the device.
 This manual must be kept with the device for later reference.

SIGNS AND SYMBOLS

	This symbol indicates the compliance with the essential requirements of the Directive 93/42/ EEC of 14 June 1993 concerning medical devices. Reference IMQ Spa - Milan		This symbol indicates an insulation class I device.		This symbol indicates to follow instructions for use.
	This symbol indicates the date of production (four digits for the year and two digits for the month).		This Symbol indicates a type B applied part.		This symbol indicates to consult instructions for use.
	This symbol indicates the manufacturer.		This symbol indicates alternate current		This symbol indicates the foot switch.
	This symbol indicates that interferences may occur in the vicinity of equipment marked with this symbol		This symbol indicates a single use device. Do not reuse the device.		This symbol indicates a CAUTION or WARNING associated with the device.
	This symbol indicates the humidity limitation for operation, transport and storage		This symbol indicates the atmospheric pressure limitation for operation, transport and storage.		This symbol indicates the temperature limitation for operation, transport and storage.
	This symbol indicates to keep the device away from sunlight		This symbol indicates to keep the device dry.	IP33	This symbol indicates the protection against harmful effects due to ingress of solid foreign objects and against harmful effects due to the ingress of water.
	This symbol indicates do not dispose the device together with unsorted municipal waste (for EU only).				This symbol indicates do not immerse in water or other liquid

PRESSURE MEASURE UNIT CONVERSION TABLE

Legenda: **bar, KPa, cm Hg, cm H2O are all measure unit of pressure (vacuum)**

	bar	KPa	cm Hg	cm H2O
1 bar	1	100	75.006	1019.72
1 KPa	0.01	1	0.75006	10.1972
1 cm Hg	0.133	1.333	1	13.595
1 cm H2O	0.098	0.00098	0.07355	1

1 APPLICATION

The suction equipments 6110-A1 and 6110-A2 are approved exclusively for the use as described in this user and maintenance manual. Siem Nova can only warranty the safe functioning of the equipments when the 6110-A1 and 6110-A2 are used with the Siem Nova accessories.



Please read and observe these warning and safety instructions before use the device.



Please note that these instructions for use are a general guide for the use of the product. Medical matters must be addressed by a physician.



WARNINGS: The products are designed for the safety care of patient and operator but some warnings must be followed.

REMARKS: The users must be able to read, understand and follow directions provided in this manual and provided by the physician. If you are dependent on the device for airway suctioning and a breakdown can lead to a critical situation, you must have another suitable device available.

1. Only use the 6110-A1 and 6110-A2 suction pump on the person for whom they were ordered and only for their intended use.
2. The equipments must be used by instructed and qualified operators.
3. If you note changing in performances of the equipments, please contact immediately authorized service center.
4. Do not perform the therapy without your physician supervision.
5. The connecting tubing delivered with the device must always be connected to a sterile catheter or suitable accessories as prescribed by your physician.
6. Do not modify the equipments without manufacturer authorization.
7. The operators must avoid the contact with blood or body liquids.
8. If the filter or the over flow valve does not operate and the liquids go inside the equipments remove immediately the power supply connection.
9. Do not use the equipments in presence of flammable anesthetic mixture with air, oxygen or nitrogen protoxid.



10. The use of mobile telephones, cordless telephones and other communication equipments can affect the DOMI suction pump. A safety distance of min. 1 m to the 6110-A1 AND 6110-A2 equipments is recommended.
11. Keep the power supply cord away from hot surfaces.
12. Keep the power cords away from moisture.
13. Never remove the mains plug out of the fixed mains socket by pulling on the power supply cord!
14. Never leave the devices unattended when they are operating.
15. The devices must stand upright during use.



16. Never use the devices while bathing or showering
17. Do not use extension cords with 6110-A1 AND 6110-A2 equipments.
18. Keep the power supply cord where you will not fall or trip over it.
19. The power cords or the tubes (for their length) could be strangle hazardous.
20. Never place the power supply cord or tubing around your neck.
21. Some equipment components for their small size could be ingested.
22. Keep the pump clean and dry.



23. Never place the pump in water or liquids.
24. Never touch with wet hands electrical parts.
25. If the pumps get wet, rub with dry towel. Do not dry in a microwave.
26. Do not touch the suction pumps when they have fallen into water. Unplug device immediately from main power supply
27. Keep the equipments away from children and pets.



28. Keep the equipments protected from direct sunlight.
29. Keep the equipments away from heat source
30. Prevent the suction pumps from falling to the floor.
31. Don't forget to take a spare canister / tubing and filters with you.
32. Check the general conditions of delivery package of the 6110-A1 AND 6110-A2 for completeness and the presence of all accessories supplied.
33. In the case of allergic reaction due to contact with the materials of this device, contact your doctor.

2 DESCRIPTIONS OF THE DEVICE

2.1 Introduction

This suction pumps 6110-A1 and 6110-A2 from Siem Nova are a quality suction pumps that combine easy handling and cleaning with safety features to ensure optimal operation.

2.2 Intended use

The 6110-A1 and 6110-A2 suction pumps are indicated for aspiration and removal of secretions, body fluids and foreign objects especially from a patient's air way. It could be a respiratory support system in the nasal, pharyngeal and tracheal areas of pediatric and adult patients.

The electrical surgical aspirators described can be used with following purpose:

- Mod. **6110 A1 MAX**: electrical surgical aspirator with 2 containers for collection of liquids with wheeled case suitable for use in general surgical applications.
- Mod. **6110 A1 CURET MAX**: electrical surgical aspirator with 2 containers for collection of liquids with wheeled case suitable for use in gynaecological operating theatre as **hystero-suction device** for endo-uterine aspiration.
- Mod. **6110 A1 LIPO MAX**: electrical surgical aspirator with 2 containers for collection of liquids with wheeled case suitable for liposuction (cosmetic surgery).
- Mod. **6110 A2 SPEEDY**: electrical surgical aspirator with 1 container for collection of liquids with wheeled case suitable for use in general surgical applications.
- Mod. **6110 A2 CURET SPEEDY**: electrical surgical aspirator with a container for collection of liquids with wheeled case suitable for use in gynaecological operating theatre as **hystero-suction device** for endo-uterine aspiration.
- Mod. **6110 A2 LIPO SPEEDY**: electrical surgical aspirator with a container for collection of liquids with wheeled case suitable for liposuction (cosmetic surgery).

2.3 Contraindications

The devices are not suitable for use for prolonged suctioning (thoracic or gastro-intestinal etc).

2.4 Intended user

The 6110-A1 and 6110-A2 should only be operated by properly instructed users.

2.5 Service life

The service life of the devices is five years. (except accessories)

2.6 Package contents

Please ask your supplier in case of missing parts or for additional accessories

(*) The disposable cannulas are not included and should be purchased separately. The Cannulas must be in compliance with medical device directive EEC 93/42

The package contains:

6110-A1 MAX		
INCLUDED ACCESSORIES SET		
60750.1	Socket, cable and connector	n. 1
60973	Polycarbonate jar 3000 ml	n. 2
60815	Polycarbonate lid with overflow valves	n. 2
90020	Clamp holder for jar	n. 2
90312	Clamp bracket for jar	n. 2
66974	Antibacterial/viral filter 11x11 mm	n. 2
66609	Hydrophobic "LIQUID STOP" Filter	n. 2
66233	Silicon tube 7x13mm	4 m
81016	Pneumatic footswitch	n. 1
60777	Change over suction switch	n. 1
OPTIONAL		
60972	Polycarbonate jar 2000 ml	
90060	Polycarbonate jar 5000 ml with cap and overflow valve (Graduated 4000 ml)	
20221	Over flow jars with floating over flow valve	

6110-A1 CURET MAX		
INCLUDED ACCESSORIES SET		
60750.1	Socket, cable and connector	n. 1
60973	Polycarbonate jar 3000 ml	n. 2
60815	Polycarbonate lid with overflow valves	n. 2
90020	Clamp holder for jar	n. 2
90312	Clamp bracket for jar	n. 2
66974	Antibacterial/viral filter 11x11 mm	n. 2
66609	Hydrophobic "LIQUID STOP" Filter	n. 2
66233	Silicon tube 7x13mm	4 m
81016	Pneumatic footswitch	n. 1
60777	Change over suction switch	n. 1
OPTIONAL		
60972	Polycarbonate jar 2000 ml	
90060	Polycarbonate jar 5000 ml with cap and overflow valve (Graduated 4000 ml)	
20221	Over flow jars with floating over flow valve	
92000	Set of 7 inox intrauterine aspiration curettes (Ø 5, 6, 7, 8, 9, 10, 11 mm) and 1 handle	

6110-A1 LIPO MAX		
INCLUDED ACCESSORIES SET		
60750.1	Socket, cable and connector	n. 1
60973	Polycarbonate jar 3000 ml	n. 2
60815	Polycarbonate lid with overflow valves	n. 2
90020	Clamp holder for jar	n. 2
90312	Clamp bracket for jar	n. 2
66974	Antibacterial/viral filter 11x11 mm	n. 2
66609	Hydrophobic "LIQUID STOP" Filter	n. 2
66233	Silicon tube 7x13mm	4 m
81016	Pneumatic footswitch	n. 1
60777	Change over suction switch	n. 1
OPTIONAL		
60972	Polycarbonate jar 2000 ml	
90060	Polycarbonate jar 5000 ml with cap and overflow valve (Graduated 4000 ml)	
20221	Over flow jars with floating over flow valve Reusable liposuction cannulas and handle	

6110-A2 CURET SPEEDY		
INCLUDED ACCESSORIES SET		
60750.1	Socket, cable and connector	n. 1
60973	Polycarbonate jar 3000 ml	n. 1
60815	Polycarbonate lid with overflow valves	n. 1
90020	Clamp holder for jar	n. 1
90312	Clamp bracket for jar	n. 1
66974	Antibacterial/viral filter 11x11 mm	n. 1
66609	Hydrophobic "LIQUID STOP" Filter	n. 1
66233	Silicon tube 7x13mm	2 m
81016	Pneumatic footswitch	n. 1
OPTIONAL		
60972	Polycarbonate jar 2000 ml	
90060	Polycarbonate jar 5000 ml with cap and overflow valve (Graduated 4000 ml)	
20221	Over flow jars with floating over flow valve	
92000	Set of 7 inox intrauterine aspiration curettes (Ø 5, 6, 7, 8, 9, 10, 11 mm) and 1 handle	

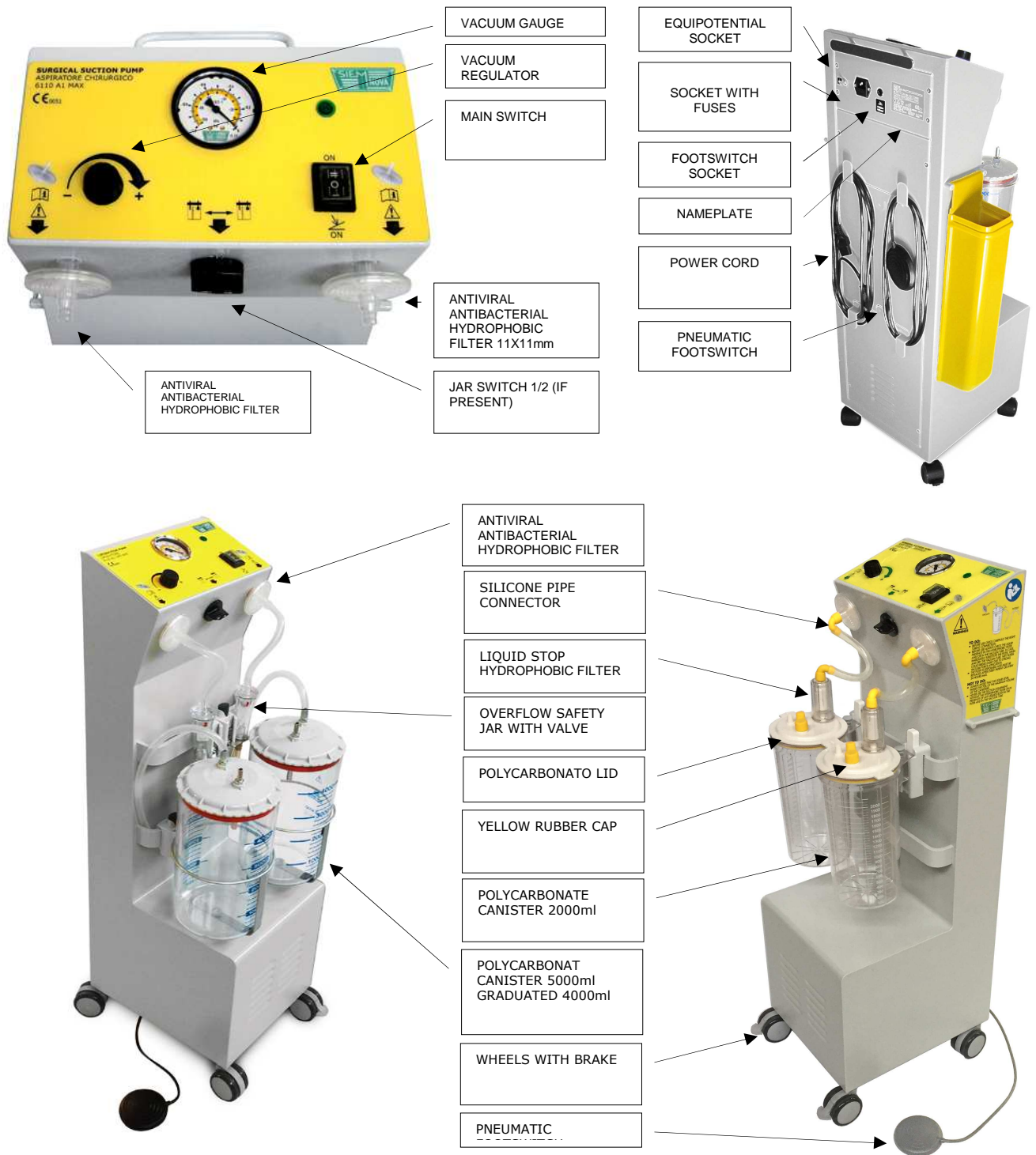
6110-A2 LIPO SPEEDY		
INCLUDED ACCESSORIES SET		
60750.1	Socket, cable and connector	n. 1
60973	Polycarbonate jar 3000 ml	n. 1
60815	Polycarbonate lid with overflow valves	n. 1
90020	Clamp holder for jar	n. 1
90312	Clamp bracket for jar	n. 1
66974	Antibacterial/viral filter 11x11 mm	n. 1
66609	Hydrophobic "LIQUID STOP" Filter	n. 1
66233	Silicon tube 7x13mm	2 m
81016	Pneumatic footswitch	n. 1
OPTIONAL		
60972	Polycarbonate jar 2000 ml	
90060	Polycarbonate jar 5000 ml with cap and overflow valve (Graduated 4000 ml)	
20221	Over flow jars with floating over flow valve Reusable liposuction cannulas and handle	

6110-A2 SPEEDY		
INCLUDED ACCESSORIES SET		
60750.1	Socket, cable and connector	n. 1
60973	Polycarbonate jar 3000 ml	n. 1
60815	Polycarbonate lid with overflow valves	n. 1
90020	Clamp holder for jar	n. 1
90312	Clamp bracket for jar	n. 1
66974	Antibacterial/viral filter 11x11 mm	n. 1
66609	Hydrophobic "LIQUID STOP" Filter	n. 1
66233	Silicon tube 7x13mm	2 m
81016	Pneumatic footswitch	n. 1
OPTIONAL		
60972	Polycarbonate jar 2000 ml	
90060	Polycarbonate jar 5000 ml with cap and overflow valve (Graduated 4000 ml)	
20221	Over flow jars with floating over flow valve	



These accessories sets are our standard accessories but the configuration can be different on customer request

2.7 Description



CAUTIONS: The 6110-A1 AND 6110-A2 devices are to be set up in such a way, that a separation from the mains supply can be easy.

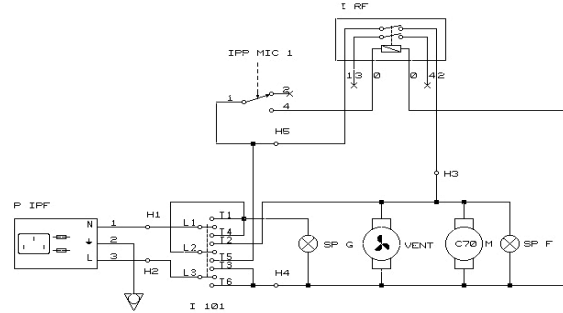


WARNING: These equipments must be used only by medically trained persons who have been adequately trained in suction procedures and in the use of aspirators. Wear gloves for all operations.

3.1 ELECTRICAL DIAGRAM AND COMPONENTS DESCRIPTION

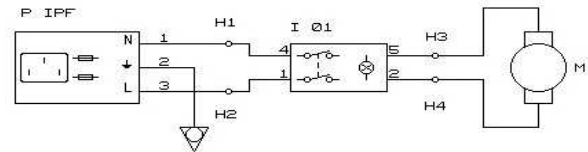
6110 A1 6110 A2 with footswitch

REFERENCE	DESCRIPTION
I 101	Three-pin switch
H1...	Connectors
M	Motor-driven compressor
P IPF	Socket with fuses door
IPP MIC1	Pneumatic footswitch
I RF	Footswitch relay
SPG	Main light
SPF	Functioning light
VENT	Impeller



6110 A1 6110 A2

REFERENCE	DESCRIPTION
I 01	Bipolar switch with light
H1...	Connectors
M	Motor-driven compressor
P IPF	Socket with fuses door
VENT	Impeller



4 PREPARATION FOR USE

4.1 CHECKS BEFORE USE

Check the 6110-A1 AND 6110-A2 equipments before use:

- damage of the power cord or main socket,
- obvious equipments damage safety defects
- proper functioning of the device.
- Liquid presence in the filter or in the VACUUM tube
- Liquid stop filter not occluded.

Check all accessories before use:

- Canister and lid for cracks. Replace if necessary.
- Tubing for cracks, brittle areas and that connectors and caps are firmly attached. Replace if necessary
- Sterile accessories must be checked on the integrity of the packaging before use. Replace if necessary.
- Not sterile and reusable accessories must be cleaned and disinfected before use



CAUTION: Do not use tubing or other sterile accessories if the sterile packaging is damaged. Do not reuse disposable use or sterile accessories.

4.2 Assembly of the canister

- check if the overflow valve is fixed on the lid of the canister and if the float (with sealing) is inside the cage.
- Mount the lid on the canister. Mount the vacuum tube with 90° hoses and filter.

OVERFLOW SAFETY

It is placed under the Lid of jars and in each overflow jars. It is made by a float and a support cage.
 Its function is to stop the aspiration when reached the maximum liquids level.

4.3 Positioning the canister on the 6110-A1 AND 6110-A2 suction pump

- Put the canister on the equipment on the suitable rail or hose.

4.4 Positioning the Hydrophobic and antibacterial filter

- Insert the Hydrophobic filter on the 6110-A1 AND 6110-A2 rubber adapter, connect the vacuum tube on the filter and on the lid (vacuum hose).
- Connect the patient tube to the lid and to the available accessories (catheters or cannulas or other following your physician indications) for better fixing you could use the yellow hose adapter available on lid.
- Close with the yellow rubber caps the not used patient connections.



WARNING: Always check the presence of liquids or other materials in the hydrophobic filter and/ or in the vacuum tube, if liquids or other visible contamination are present, the FILTER must be replaced immediately due to the risk of pressure build-up and possible filter membrane leakage (at vacuum level of -0.69 bar the membrane breaks after 10 minutes). The filter membrane leakage allows the liquid to go inside the pump and to damage it.



CAUTION: These filters have been designed, tested and manufactured exclusively for disposable use and for a period of use not exceeding 24 hours.

4.5 Positioning the Hydrophobic filter LIQUID STOP

1. Insert the liquid stop filter by the hose on the lid (please check the right position of the vacuum SIDE) then connect by the tube to the antibacterial filter.

Combined with the antibacterial filter the Hydrophobic filter "Liquid stop" effectively protect the suction pump not only by the body liquid over flow but also by the small drops in the air (aerosol) due to the suction operation; this small drops cannot be stopped by the over flow floating valve on the lid and usually are stopped by the antibacterial filter but often the operator do not replace this filter as indicated and sometimes this means to break the own filter and to contaminate and damage the pump. The LIQUID stop filter must be replaced when dirty and/or occluded (by the small liquid drops)



WARNING: Always check the presence of liquids or other materials in the liquid stop filter, if liquids or other visible contamination are present, the FILTER must be replaced immediately

5 OPERATING INSTRUCTIONS



CAUTIONS: The 6110-A1 AND 6110-A2 device are to be set up in such a way, that a separation from the mains supply can be easy.



WARNING: These equipments must be used only by medically trained persons who have been adequately trained in suction procedures and in the use of aspirators. Wear gloves for all operations.

5.1 Connect 6110-A1 AND 6110-A2 to mains power

1. Check the pump before use following the instruction in chapter 4 "Preparation for use".
2. Insert the power cord plug in the 6110-A1 AND 6110-A2 socket and then to the mains socket available.



to activate the equipment with the foot switch (if present or requested):

1. insert the foot switch tube on the foot switch socket
2. set the ON/OFF/ON switch to the symbol indicated, then press the pneumatic pad with the foot;
3. Pressing a second time will turn off the machine.

5.2 Functional check

1. Press the ON/OFF switch to switch on the pump (the light on control panel will turn ON).
2. (If present) to activate the foot switch push the on/off switch on proper position (the light on control panel will turn ON).
3. (If present) test the jar switch by turning it left or right.
4. Set vacuum regulator to position «max.».
5. Close the VACUUM tube with a finger and check if there is suitable suction. If there is suction, proceed with following step, if not, see chapter "Troubleshooting".
6. Use accessories and vacuum setting as prescribed by a physician.

5.3 Changing vacuum level

Set vacuum regulator to the necessary position by turning the knob (clockwise the vacuum level will arise). Read on vacuum gauge the set value.

5.4 CONTAINER SELECTION (for model 6110-A1 only)

The operators can collect liquids aspirated into one or into the other jar simply by turning the switch for the selection.

5.5 Placing out of operation after use

1. Press the ON/OFF switch to switch off the pump
2. Remove the power cord from the main socket and then from the equipment AC socket
3. Disconnect the accessories used from the patient tube port (disposable fingertip tubing or other used accessories)
4. Remove canister from the pump pulling the external yellow rubber stripes
5. For transportation of used canister always seal the lid with the caps.
6. Hang a clean canister (if required)
7. Clean and disinfect the 6110-A1 AND 6110-A2. See chapter 7 "Cleaning guidelines
8. For disposable material follow local after-use guidelines



WARNING: On a daily basis or latest when the fluid level reaches 70% of maximum canister capacity or the over flow valve stops suction into the canister the canister should be emptied, cleaned and sterilized. Always check the presence of liquids inside the filter and the vacuum tube. Empty canister and dispose wasted material in accordance with local guidelines

6 TROUBLESHOOTING

6.1 If the pump is not running

Check if:

1. the 6110-A1 AND 6110-A2 are switched on.
2. the mains voltage is correct
3. the plugs of the power cord are both correctly inserted in the mains socket and in the equipment.

6.2 the pump does not suction strongly enough

Check if:

1. the vacuum regulator is set to the correct and prescribed suction level.
2. the tubing is not defective and/or broken and/or obstructed and/or bended. If necessary, replace.
3. If the jar switch is present check if you are using the right jar.
4. all tubing connections are tight. If necessary, fix them stronger.
5. the canister and the lid have no cracks, brittle areas, discolouration. If necessary, replace.
6. there is no liquids or other material inside the VACUUM tube or filters and the filters aren't occluded.



WARNING: IF LIQUIDS REACH THE FILTERS IT WILL STOP THE AIR FLOW



CAUTIONS: If the fault cannot be rectified, please contact assistance.

7 CLEANING AND STERILIZATION GUIDELINES

7.1 General notes

1. Follow the cleaning instructions given by your local regulations.
2. Wear protective gloves for cleaning / disinfection.
3. Dispose of fluids such as blood and secretions and the parts contaminated with them according to local guidelines.

7.2 Washing water

Use only the purest quality of water for cleaning. Water hardness is a serious consideration since deposits left on medical products may not be properly removed. Use demineralized water in order to reduce this problem.



7.3 Disposable products

These are single use products not intended to be reused. Reuse could cause loss of mechanical, chemical and / or biological characteristics. Reuse could cause cross contamination.

7.4 Disassembly

Separate all individual parts before cleaning and disinfecting.

7.5 Cleaning the suction unit, power cord and stripes



WARNINGS: Before cleaning the device, pull the mains plug out of the wall socket. Do not immerse the equipments in water.

1. remove the power cord,
2. remove the canisters
3. use a soft sponge or tissue with cold disinfectant solution (i.e. solution containing up 2% sodium hypochlorite) avoiding liquid penetration inside the unit and power cord
4. avoid any operation causing liquid penetration inside the equipment or inside the power cord plugs
5. follow the cold disinfectant solution manufacturer instruction and check the compatibility between the solution and the case material of unit (ABS), Use soft clean cloth to dry

7.6 Cleaning canister, lid and tubing (for reusable materials only)

1. Remove the lid of reusable canister.
2. disassembly the cage of the overflow valve and the overflow valve
3. Clean components in hot water (60–70 °C) containing a detergent with a pH range between 6.0 and 8.0 only, in order to avoid damage.
4. Soak all parts thoroughly with warm, soapy water (60–70 °C) or in enzymatic detergent for 1–5 minutes.
5. Remove visible dirt with a cleaning tool (i.e. general-purpose cleaning brush, such as pipe cleaners or non-abrasive lint clothes).
6. Rinse thoroughly in clear water.
7. Allow to dry.
8. Check the parts for visible dirt and repeat these steps if necessary.

7.7 Sterilization canister, lid and tubing



WARNING: The procedure must be done by the qualified personnel after every use: personnel should have individual protections such as coats, masks, gloves, screens, glasses, peaks, anti-sprinklings, etc....: the procedure is intended to reduce the microbial load, provided for protecting the operator from HIV contamination, to limit the risk of infection This procedure requires that all reusable material came into contact with potentially infectious materials, shall, after the use, be immediately immersed in a solution of Phenols for 30 minutes (see handbook disinfectants).

All the material reusable after the decontamination and before the sterilization process must be thoroughly washed in all its parts (see point 6.5)

1. sterilize the items into an autoclave (cycle 15'-121° C) or into an autoclave with ethylene oxide, cycle at 37°C (After ethylene oxide sterilization material has to be degassed for 48 hours),
2. in alternative to point 1) cool sterilizing or dipping could be made. Follow instructions of the suitable chemical product manufacturer for using it.
3. After 30 sterilizing cycles it is recommended to check the wholeness of the container, lid, tube and vacuum connectors

8 PREVENTIVE MAINTENANCE

The 6110-A1 and 6110-A2 suction pump should not require preventive maintenance if used following the indication of this manual. If a 6110-A1 and 6110-A2 pump fails within the warranty period due to a manufacturing defect, it will be replaced.



REMARK: The defective pump will need to be returned to the supplier.

8.1 Daily checkup (by user)

This check could quickly verify if the equipment is suitable for the use and it takes few minutes.

1. Connect the 6110-A1 and 6110-A2 to a main power supply.
2. Switch on the 6110-A1 and 6110-A2, pushing the on/off switch (if the foot switch is present push the switch on position I), the equipment must work smoothly without changing of motor turns, not normal noises or vibrations
3. Close the VACUUM tube, turn in clock wise the Vacuum regulator and check that the VACUUM level reaches at least the value indicated on following tables (less 5% max).
4. With the VACUUM tube open, turn in clock wise the Vacuum regulator and check that the VACUUM level will decrease towards 0 (zero) (due to load loss could be accepted a residual vacuum level of 40-50 mbar).
5. Switch off the unit.
6. Check if the filter is clean and no liquid or other contamination inside. If the color of the filter is not white it must be replaced, a dirty filter means not good performances of the 6110-A1 AND 6110-A2 (see the chapter 4.4).
7. If necessary, replace filters and disposable bag (if used).

8.2 6/12 MONTHS CHECK UP (after warranty period)

This check verifies if the equipment is in compliance with the original productions features and so suitable to be used. This check should be done by specialized operators or authorized service companies, Following the functional test this operators or companies should do a safety electrical test in compliance with IEC 60601-1 and issue a final report.

TEST LIST TO BE DONE ON THE EQUIPMENTS:

1. Check the pump: the Maximum Vacuum should be not less than the value indicated on following tables (less 5% max), and there are not noises or vibrations.
2. Check the vacuum regulator rotating it in both the senses and verifying smooth working operations.
3. Check the mechanical integrity of the aluminium case, the penetration of external material could damage the equipment or create danger to the operators.
4. Check if the labels are still present and readable.
5. Never open the device, for this technical operation please contact authorized service center only
6. Check the Vacuum gauge. With the equipment off it must indicate 0 mbar (zero)
7. Check the integrity of the canisters, connections and tubing.
8. If necessary, replace filters and disposable bag (if used)
9. Before declaring the equipment in compliance with the manufacturer features make a safety electrical test (IEC 60601-1). For making this test ask to the authorized service center and/or to the manufacturer.



Use disposable or spare parts supplied from the manufacturer only, the compliance of disposable or spare parts could be confirmed by the manufacturer only.



Issue and properly archive a suitable report for the check done.



The operator must consider that the use of the 6110-A1 and 6110-A2 in high quote, in this condition the value of vacuum could reduced, do not use the 6110-A1 and 6110-A2 over 3000 mt from the sea level (9842 ft).

9 TECHNICAL SPECIFICATIONS**9.1 Transport/Storage conditions**

The 6110-A1 AND 6110-A2 pump and accessories must remain in the packaging for storage and stored at a temperature range from -25 °C to +70 °C (-13 °F to +158 °F).

**9.2 Operating temperature**

The 6110-A1 AND 6110-A2 pump and accessories must be operated within a temperature range of +5 °C and +40 °C (+41 °F and +104 °F). Do not operate the products in extreme cold or heat.

**9.3 Transport/Storage/operating conditions (humidity)**

The 6110-A1 AND 6110-A2 pump and accessories must remain in the packaging for storage and used at a humidity range from 15% to 93 %.

**9.4 Transport/Storage/operating conditions (atmospheric pressure)**

The 6110-A1 AND 6110-A2 pump and accessories must remain in the packaging for storage and used at an atmospheric pressure range from 0,7 bar to 1,06 bar



CAUTIONS: Do not operate the 6110-A1 AND 6110-A2 pump above 3000 m above sea level (9,842 ft).

IP33**9.5 Protection class**

The 6110-A1 AND 6110-A2 pump are protected against ingress of dripping water (IP33).



The **6110-A1** and **6110-A2** equipments are protected against the penetration of liquids and solids (IP33) It is always good though protect from heavy rains. During operation and storage, the device should be kept dry. If the device is entirely wet, move it to a dry area, dry externally and wait at least 30 minutes before using it again if you are sure that water didn't enter inside.



REMARKS: The suction equipments could be equipped with two different pumps (120l/min or 90 l/min)

6110-A1 MAX and 6110-A2 SPEEDY equipped with 120 L/min pump

Dimensions (h x w x l):	965 x 400 x 330 mm (38 x 15,7 x 13 inches)
Voltage with motor HP 120:	230 VAC; 50 Hz; 325 VA
Operating cycle:	continuous
flow rate (before the filter):	> 120 liters/minute (+/- 5 %) with motor HP 120
Standard Canister volume:	2000 ml
weight (without canister):	22 kg / 48,5 lbs approx
max. vacuum level:	- 697,5 mmHg / - 93 kPa / - 0,93 bar (+/- 5 %) (*)
CEI EN60601-1 Classification:	Insulation Class I device - Applied part type B Device not suitable for use in presence of flammable anesthetic mixture with air, oxygen or nitrogen protoxid.
UNI EN ISO10079-1 Classification:	Equipments with HIGH VACUUM level and HIGH FLOW
DDM 93/42 CEE Classification:	Class II b

6110-A1 MAX and 6110-A2 SPEEDY equipped with 90 L/min pump

Dimensions (h x w x l):	965 x 400 x 330 mm (38 x 15,7 x 13 inches)
Voltage with motor HP 90:	230 VAC; 50 Hz; 270 VA
Operating cycle:	continuous
flow rate (before the filter):	> 90 liters/minute (+/- 5 %) with motor HP 90
Standard Canister volume:	2000 ml
weight (without canister):	20 kg / 48,5 lbs approx
max. vacuum level:	- 675 mmHg / - 90 kPa - 0,9bar (+/- 5 %) (*)
CEI EN60601-1 Classification:	Insulation Class I device - Applied part type B Device not suitable for use in presence of flammable anesthetic mixture with air, oxygen or nitrogen protoxid.
UNI EN ISO10079-1 Classification:	Equipments with HIGH VACUUM level and HIGH FLOW
DDM 93/42 CEE Classification:	Class II b

(*) Measured at 0-meter, atmospheric pressure: 1013.25 hPa.



PLEASE NOTE: vacuum levels may vary depending on location (meters above sea level, atmospheric pressure and temperature).



10 DISPOSALS

At the end of their operative life the device and accessories must be disposed of in compliance with the local regulation and enviromental laws, if no legal regulation exists the different material must be sorted and disposed of separately (see the below table)

Remark: the components of the equipments or accessories don't contain phthalates or natural latex

Item	Material or regulation
Suction pump unit and power cord	Waste from Electric and Electronic Equipment (WEEE)
Unit case	NON-MAGNETIC ALUMINIUM frame
Canister	Polycarbonate
Lid	Polycarbonate
Rubber components	Silicone
Cage and float	Polypropilene
box	Cardboard
manual	Paper



Remark: the components of the equipments or accessories don't contain phthalates or natural latex



11 ELECTROMAGNETIC COMPATIBILITY

The suction pump 6110-A1 AND 6110-A2 are supplied with an electric induction motor and has no electronic parts so for his own nature he doesn't generate electromagnetic emissions or is influenced by external electromagnetic emissions , to this means that this device is automatically in compliance with the requirements of CEI EN 60601-1-2-2015 for the electromagnetic compatibility of medical devices, anyhow the use of mobile telephones, LAN / WLAN, walkie-talkies (two-way radios) and cordless telephones sets could affect the 6110-A1 AND 6110-A2 pump. A safety distance of min. 3.3 ft (1 m) to the equipment is recommended.

RECOMMENDED SEPARATION DISTANCES BETWEEN RADIOCOMMUNICATION DEVICES

The surgical suction equipments 6110-A1 and 6110-A2 Don't generate electromagnetic noises and are not influenced by external electromagnetic noises, anyhow it is better to use it in an electromagnetic environment in which radiated RF disturbances under control. The customer or the 6110-A1 and 6110-A2 operator of the device can help prevent electromagnetic interference by maintaining a minimum distance between mobile and portable RF communication equipment (transmitters) and the 6110-A1 and 6110-A2 device as recommended below, in relation to the maximum output power the communications equipment.

Maximum nominal power of the transmitter output (W)	Separation distance to the frequency of the transmitter (m)		
	From 150 kHz to 80 MHz $d=1,2 \times \sqrt{P}$	from 80 kHz to 800 MHz $d=1,2 \times \sqrt{P}$	From 800 kHz to 2,5 GHz $d=2,3 \times \sqrt{P}$
0,01	0.12	0.12	0.23
0,1	0.38	0.38	0.73
1	1.2	1.2	2.3
10	3.8	3.8	7.3
100	12	12	23

For transmitters with a maximum rated output power not listed above, the recommended separation distance "d", in meters (m) can be calculated using the equation applicable to the frequency of the transmitter, where "p" is the maximum output power of the transmitter in watts (W) according to the transmitter manufacturer.
Note 1: At 80 MHz and 800 MHz, the exposure distance for the higher frequency range is applicable.
Note 2: These guidelines may not apply to all situations. Electromagnetic propagation is affected by absorption and reflection from structures, objects and people.

12 SPARE PARTS

Use only accessories or spare parts supplied by Siem nova srl. The use of spare parts not supplied from Siem Nova Srl could invalidate the warranty.

13 WARRANTIES

Siem Nova srl (or his authorized distributor) warrants the device will be free from defects in materials and workmanship for a period of 2 years from the date of delivery. Faulty material will be replaced free of charge during this period if not resulting from abuse or misapplication. Transport costs are not included. The warranty includes defects in materials, components and/or workmanship only if:

- A. THE DEVICES ARE USED IN RESPECT TO ALL INSTRUCTIONS OF OPERATOR'S MANUAL;**
- B. MAINTENANCE IS DONE BY SIEM-NOVA SRL AUTHORIZED PERSONNEL;**
- C. THE ACCESSORIES ARE SUPPLIED BY SIEM NOVA**

This will not apply to parts subject to wear and tear in use (i.e: filters, power cord, lid and canisters). To better ensure compliance with this warranty we recommend the exclusive use of spare parts supplied by Siem Nova srl.

The right to the replacement of faulty parts will not be recognized by Siem nova srl if any work has been made on the equipments by unauthorized persons.

14 Technical features update

In order to continuously improve performance, safety and reliability, all products medical devices from Siem Nova Srl are periodically reviewed and changes. The instruction manuals are therefore amended to ensure their continued compliance with the characteristics of the input devices on the market. If the instruction manual accompanying this device is lost, you can obtain from the manufacturer a copy of the version corresponding to the device provided supplying serial number on the device label.